

Compact Pump Head

MicroPump



Model No

MicroPump, Flow Rate: 0.004-149.23mL/min

Product Features

Beautiful appearance, compact size, variety colors to choose, OEM ideal choice, can be driven by stepper motor, DC motor etc.

Industry Application

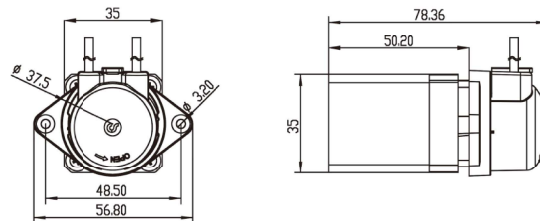
- | Biochemical analyzer, support medical equipment
- | Plant protection drone

Pump Head Installation Procedure



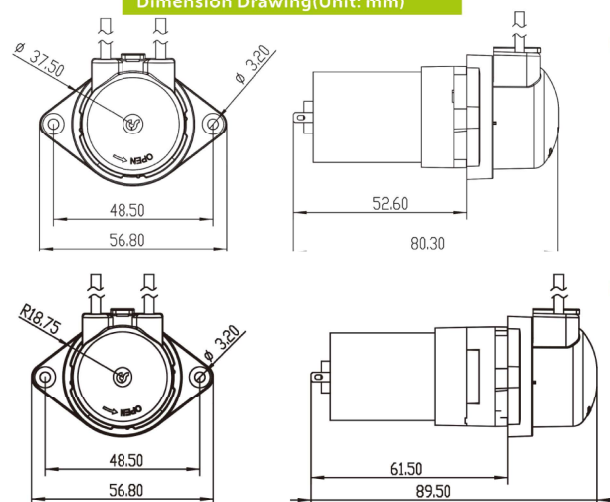
35 Stepper motor

Dimension Drawing(Unit: mm)



DC motor

Dimension Drawing(Unit: mm)

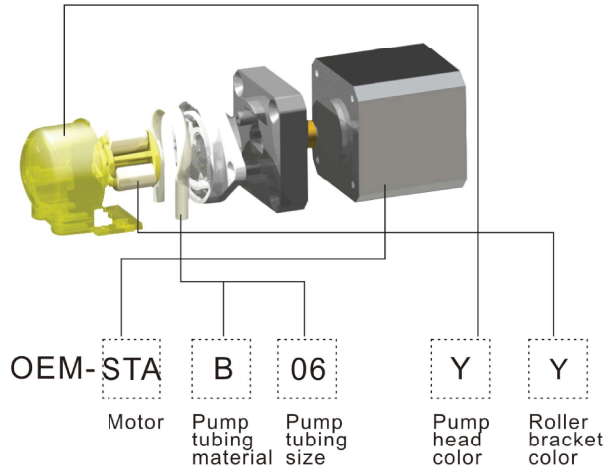


Single gear

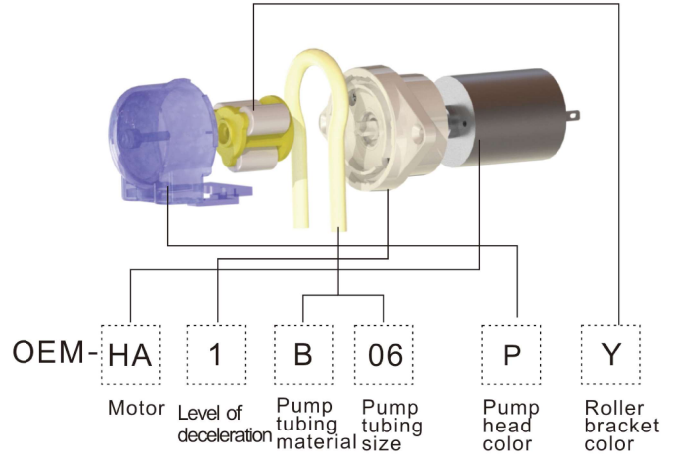
Double gear

Compact Pump Head

Stepper motor breakdown drawing



DC motor breakdown drawing



Color Selection



Pump head housing and roller bracket color

	Transparency	Green	Red	Yellow	Purple
Pump head color	T	G	R	Y	P
Roller bracket color	White	Green	Red	Yellow	Blue
	W	G	R	Y	B

Flow model selection

Tubing No.			S04	S06	S10	S22	B04	B06	B10	B22	
Tubing ID. (wall thickness 1mm)			1mm	2mm	3mm	4mm	1mm	2mm	3mm	4mm	
Tubing material			Silicone tubing	Silicone tubing	Silicone tubing	Silicone tubing	BPT	BPT	BPT	BPT	
Flow rate (mL/min)	24V Brush/Brushless HA/HD	Single gear	14.88	50.05	110.27	149.23	14.88	50.05	110.27	149.23	
		Double gear	1.28	4.29	9.45	12.79	1.28	4.29	9.45	12.79	
	12V Brush/Brushless HB/HE	Single gear	14.88	50.05	110.27	149.23	14.88	50.05	110.27	149.23	
		Double gear	1.28	4.29	9.45	12.79	1.28	4.29	9.45	12.79	
	6V Brush/Brushless HC/HF	Single gear	14.88	50.05	110.27	149.23	14.88	50.05	110.27	149.23	
		Double gear	1.28	4.29	9.45	12.79	1.28	4.29	9.45	12.79	
	35 Stepper motor(150rpm)STA			6.42	21.5	47.26	63.95	6.42	21.5	47.26	63.95
	35 Stepper motor(350rpm)STB			14.88	50.05	110.27	149.23	14.88	50.05	110.27	149.23